

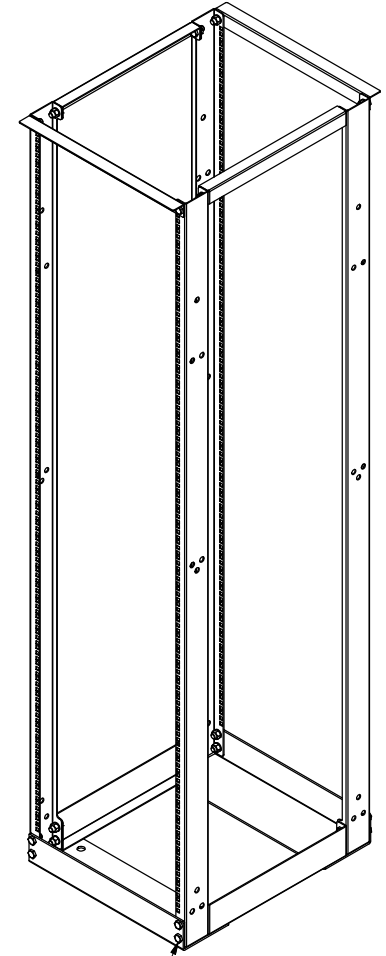
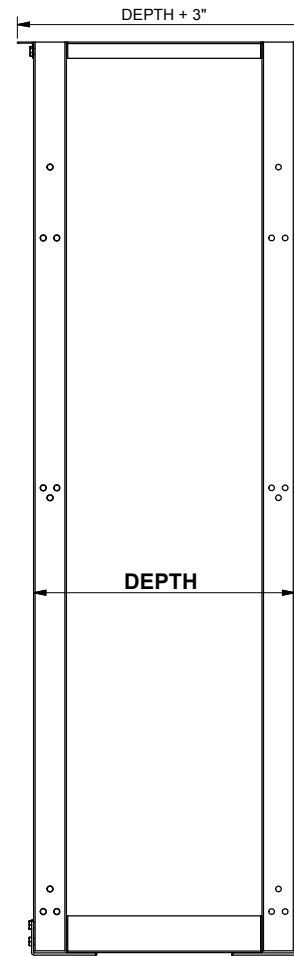
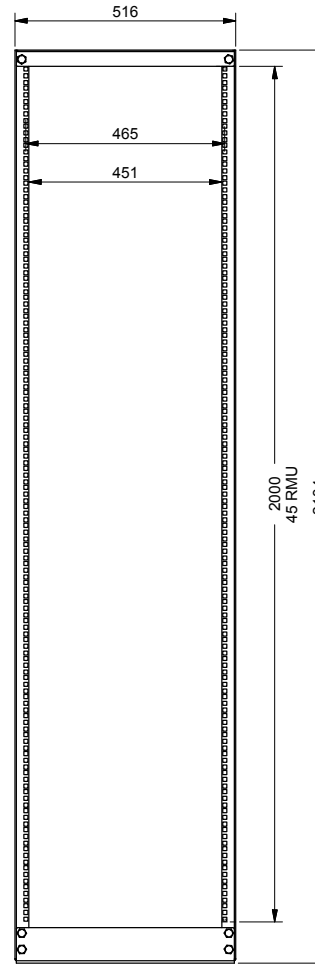
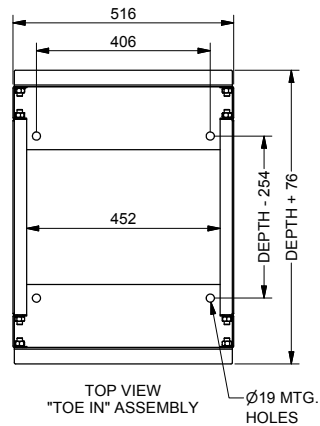
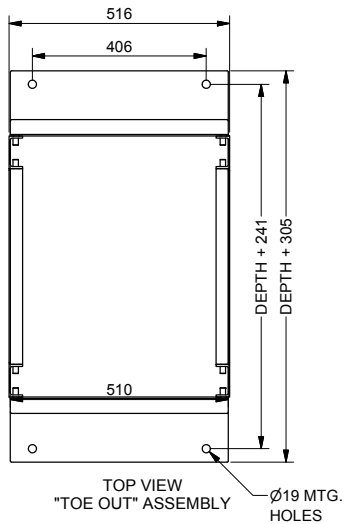
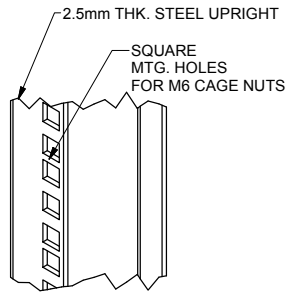


# 4 Post Racks

## CONSTRUCTION:

BOLT TOGETHER CONSTRUCTION, SHIPS FLAT AS KIT  
 STEEL COMPONENTS - DURABLE TEXTURE POWDER COAT  
 5mm THK. C.R.S. HORIZONTAL FOOT BRACKETS  
 2.5mm THK. C.R.S. TOP AND BOTTOM DEPTH BRACKETS  
 2.5mm THK. C.R.S. HORIZONTAL TOP BRACKETS

PART NUMBER	DEPTH
4PM6-60	600
4PM6-73	737
4PM6-80	800
4PM6-90	900



QTY. 24, M12X25 HEX HEAD BOLTS  
 "TOE IN" ASSEMBLY SHOWN FOR REFERENCE