

**Teherbírás: 875 kg**

INTERPRET DRAWING PER ASME Y14.5M-1994  
 DIMENSIONAL LIMITS APPLY  
 AFTER APPLICATION OF FINISH  
 DRAWING NOT TO SCALE  
 TOLERANCE UNLESS OTHERWISE NOTED:  
 ANGULAR +/- 1°  
 .XXX +/- .25  
 .XX +/- .38  
 .X +/- .75  
 X FOR REF. ONLY  
 UNLESS OTHERWISE SPECIFIED  
 ALL DIMENSIONS ARE IN MM

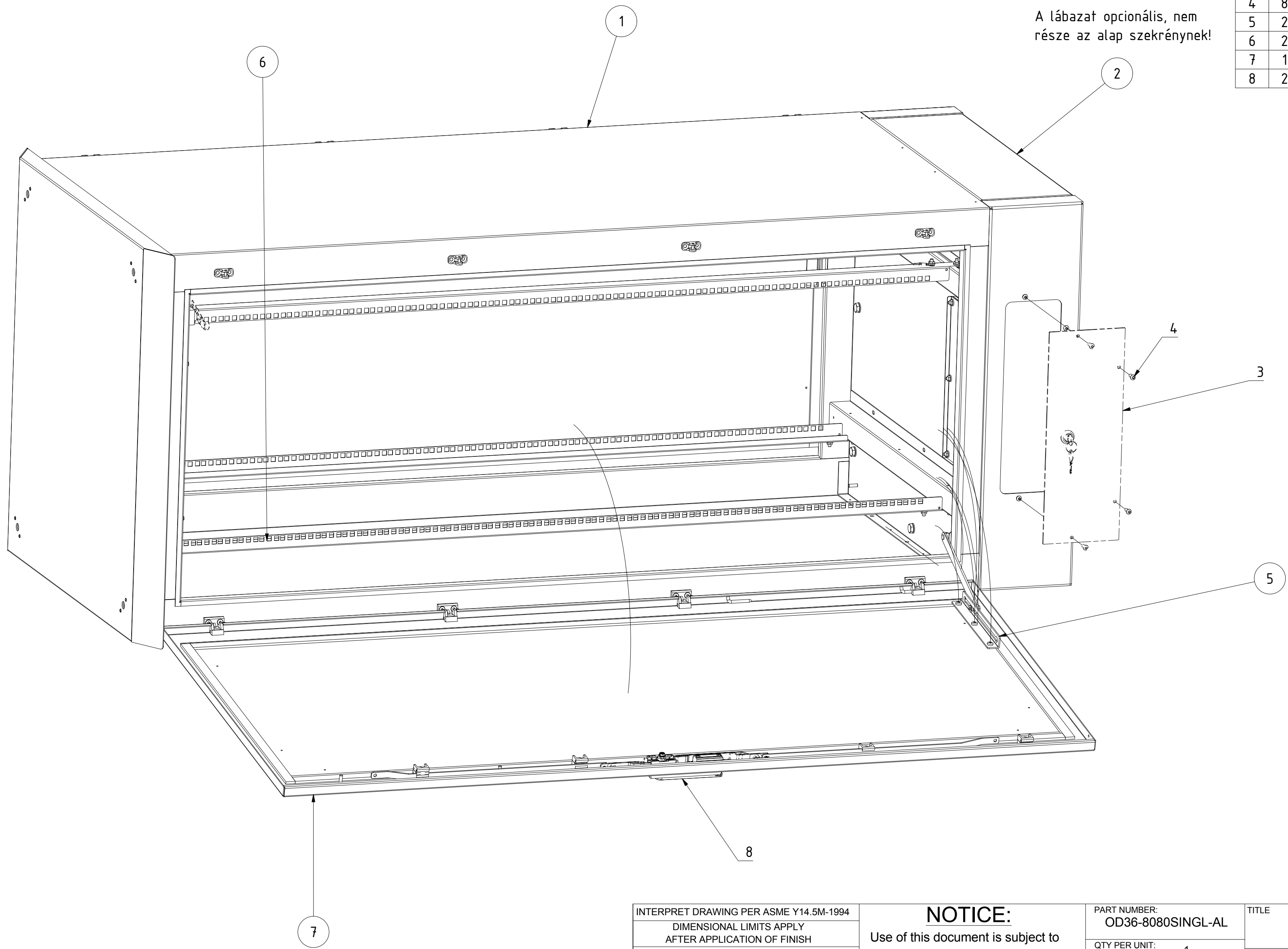
**NOTICE:**  
 Use of this document is subject to a confidentiality and nondisclosure agreement with Great Lakes Case & Cabinet Co., Inc. (GLCC) and may not be reproduced, disclosed or utilized in whole or in part without prior written authorization from GLCC.

PART NUMBER:  
**OD36-8080SINGL-AL**  
 QTY PER UNIT: 1  
 MATERIAL TYPE: AlMg3  
 MATERIAL THICKNESS [mm]: 2mm  
 FINISH: Powder Coating Ral 7035  
 DRAWN: gaborr 2016.12.12  
 CHECKED: RG

TITLE  
**Outdoor Cabinet 36U 800x800**  
 GREAT LAKES HUNGARY Kft.  
 8000 Székesfehérvár  
 Zsurló utca 13  
 telefon: +36 22 880 424  
 DWG NO: REV 0 SHEET 1 OF 2

PARTS LIST		
ITEM	QTY	DESCRIPTION
1	1	Base Kabinet
2	1	Lábazat 200mm magas (opcionális)
3	1	Lábazat elő és hátlapi szerelő nyílás fedél
4	8	Lábazat szerelő nyílás rögzítő csavar
5	2	Kicsapódás gátló
6	2	36U sinek
7	1	Outdoor 36U 800 szekrény ajtó
8	2	Zár szerelvények

A lábazat opcionális, nem része az alap szekrénynek!



INTERPRET DRAWING PER ASME Y14.5M-1994  
 DIMENSIONAL LIMITS APPLY  
 AFTER APPLICATION OF FINISH  
 DRAWING NOT TO SCALE  
 TOLERANCE UNLESS OTHERWISE NOTED:  
 ANGULAR +/- 1°  
 .XXX +/- .25  
 .XXX +/- .38  
 .XX +/- .75  
 X FOR REF. ONLY  
 UNLESS OTHERWISE SPECIFIED  
 ALL DIMENSIONS ARE IN MM

**NOTICE:**  
 Use of this document is subject to a confidentiality and nondisclosure agreement with Great Lakes Case & Cabinet Co., Inc. (GLCC) and may not be reproduced, disclosed or utilized in whole or in part without prior written authorization from GLCC.

PART NUMBER:  
**OD36-8080SINGL-AL**  
 QTY PER UNIT: 1  
 MATERIAL TYPE:  
 MATERIAL THICKNESS [mm]:  
 FINISH:  
 DRAWN gaborr  
 CHECKED

TITLE  
**Outdoor Cabinet 36U 800x800**  
 GREAT LAKES HUNGARY Kft.  
 8000 Székesfehérvár  
 Zsurló utca 13  
 telefon: +36 22 880 424  
 DWG NO:  
 REV 0  
 SHEET 2 OF 2