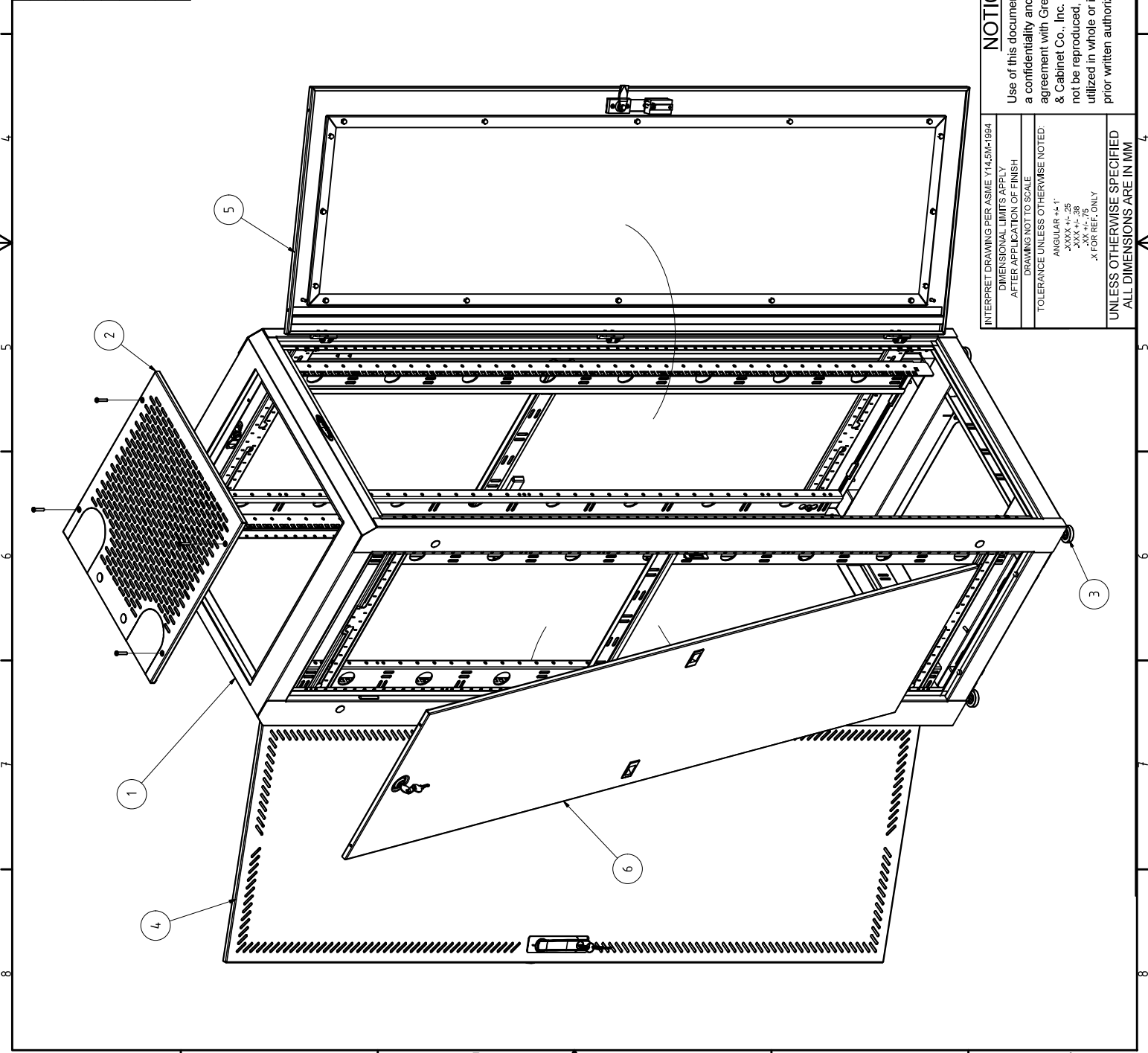


PARTS LIST		
ITEM	QTY	DESCRIPTION
1	1	37 RMU x 600mm W x 600mm D ENHANCED SERIES WELDMENT
2	1	600mm W x 600mm D PERFORATED TOP PANEL
3	4	Adjustable Leveller M12 x 65mm Total H=80mm
4	1	PERIMETER VENTED DOOR ASSEMBLY FOR 72H x 24W E
5	1	PLEXIGLAS ENHANCED DOOR, 72"H x 24"W, TOP LEVEL ASSEMBLY
6	2	SOLID LIFT-OFF, LOCKABLE SIDE PANEL FOR 37 RMU x 600mm D ENHANCED ASSEMBLY



INTERPRET DRAWING PER ASME Y14.5M-1994

DIMENSIONAL LIMITS APPLY AFTER APPLICATION OF FINISH

DRAWING NOT TO SCALE

TOLERANCE UNLESS OTHERWISE NOTED:  
 ANGULAR ±.1°  
 .XXX ±.25  
 .XX ±.75  
 .X FOR REF. ONLY

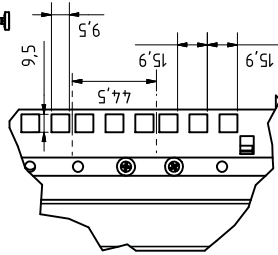
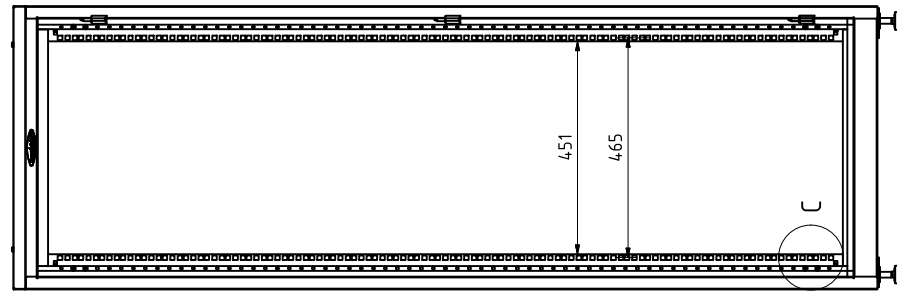
UNLESS OTHERWISE SPECIFIED ALL DIMENSIONS ARE IN MM

**NOTICE:**  
 Use of this document is subject to a confidentiality and nondisclosure agreement with Great Lakes Case & Cabinet Co., Inc. (GLCC) and may not be reproduced, disclosed or utilized in whole or in part without prior written authorization from GLCC.

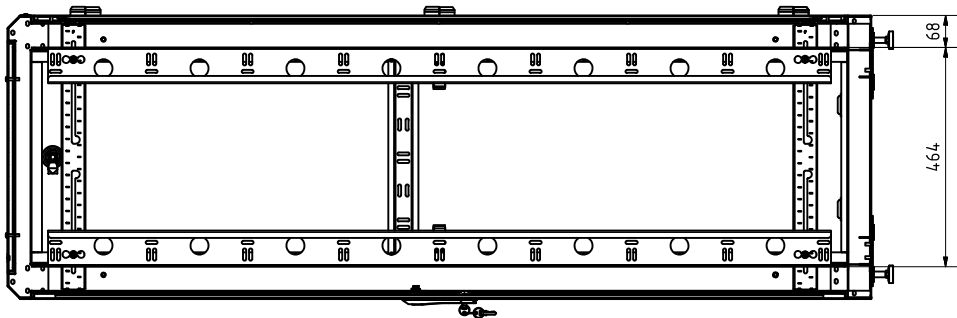
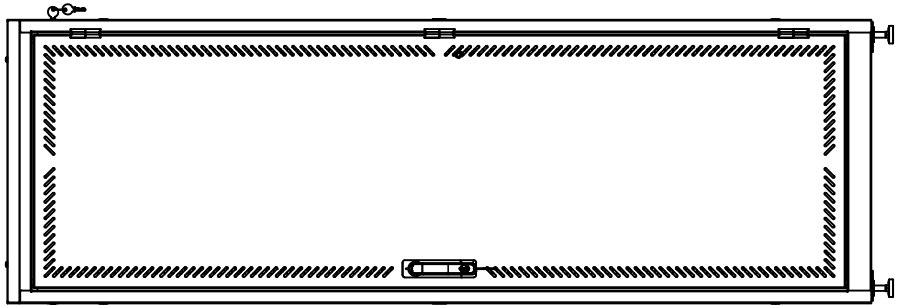
PART NUMBER: GL-37E600G-BL	TITLE E sorozat 37U 600x600
QTY PER UNIT: 1	
MATERIAL TYPE:	
MATERIAL THICKNESS (mm):	
FINISH:	
DRAWN: jzseis	DWG NO: 2016.dec.12
CHECKED:	REV: 0
	SHEET 1 OF 2

GREAT LAKES HUNGARY KIT.  
 8000 Székesfehérvár  
 Zsurfó utca 13  
 telefon: +36 22 880 424

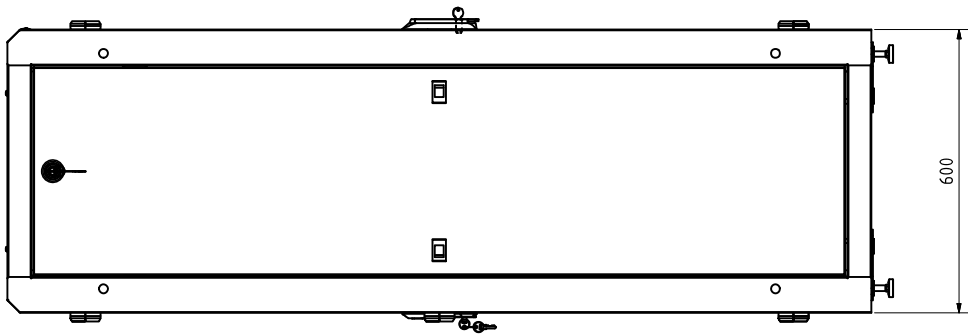
ELŐLNÉZET AJTÓ NÉLKÜL



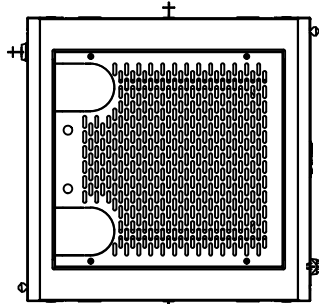
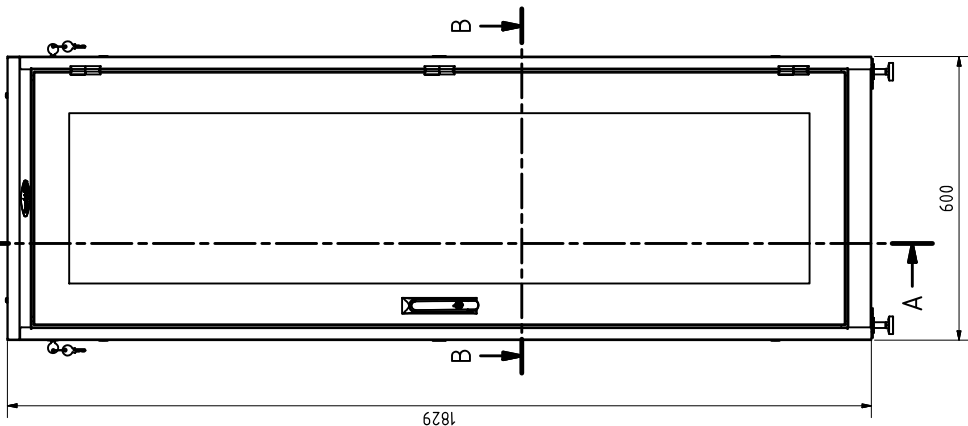
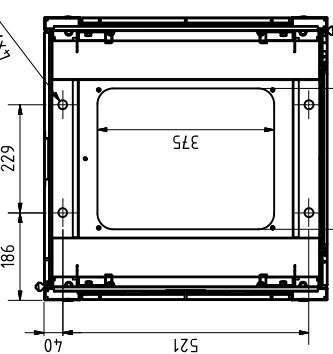
C ( 1 : 2 )



A-A ( 1 : 8 )



B-B ( 1 : 8 )



**NOTICE:**

Use of this document is subject to a confidentiality and nondisclosure agreement with Great Lakes Case & Cabinet Co., Inc. (GLCC) and may not be reproduced, disclosed or utilized in whole or in part without prior written authorization from GLCC.

INTERPRET DRAWING PER ASME Y14.5M-1984

DIMENSIONAL LIMITS APPLY AFTER APPLICATION OF FINISH

DRAWING NOT TO SCALE

TOLERANCE UNLESS OTHERWISE NOTED:

ANGULAR  $\pm 1^\circ$

XXX  $\pm .25$

XX  $\pm .38$

X FOR REF. ONLY

UNLESS OTHERWISE SPECIFIED ALL DIMENSIONS ARE IN MM

PART NUMBER: GL-37E6060G-BL  
QTY PER UNIT: 1  
MATERIAL TYPE:  
MATERIAL THICKNESS [mm]:  
FINISH:  
DRAWN: jzsis  
CHECKED:

TITLE: E sorozat 37U 600x600

GREAT LAKES HUNGARY Kft.  
8000 Székesfehérvár  
Zsurfó utca 13  
telefon: +36 22 880 424

DWG NO: 1006555

REV: 0

SHEET 2 OF 2